

# The wine glass chandeliers The Glass Cluster / Glasklasen

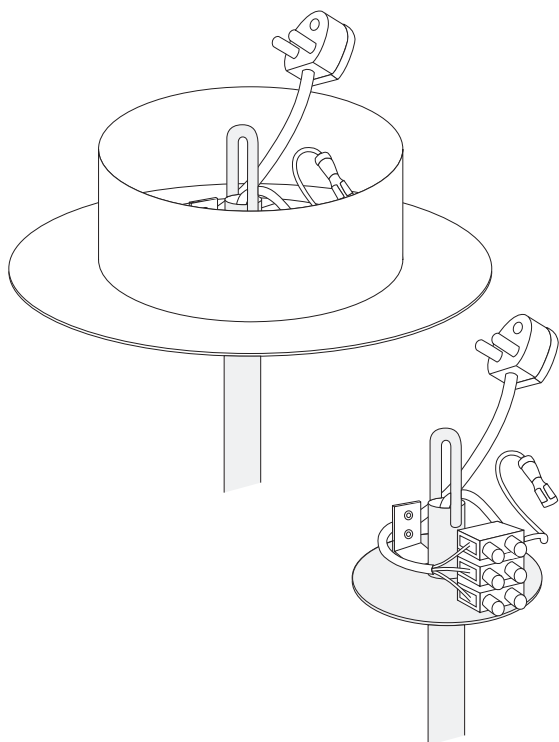
## • Differences between the EU and US versions

We carry two versions of the Glass Cluster range - both versions uses the same glass-holder/rack. The differences between the two versions concerns the electric parts and the top shown in the sketch below.

More information on the Glass Cluster range is to find in our product sheets and on our web site.

### EU-version

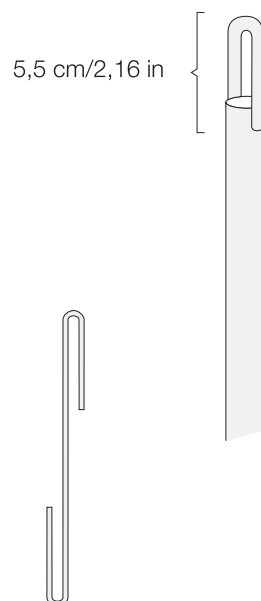
- wired to EU-standards
- includes a top-plate



*sketch with out  
the top-plate*

### US-version

- not wired but is prepared for wiring wich is easily mounted by an electrician
- does not nclude a top-plate



10 s-shaped hooks (10 cm/3.9 in each)  
are enclosed for extension use

FORM NASIELSKY  
[www.nasielsky.se](http://www.nasielsky.se)